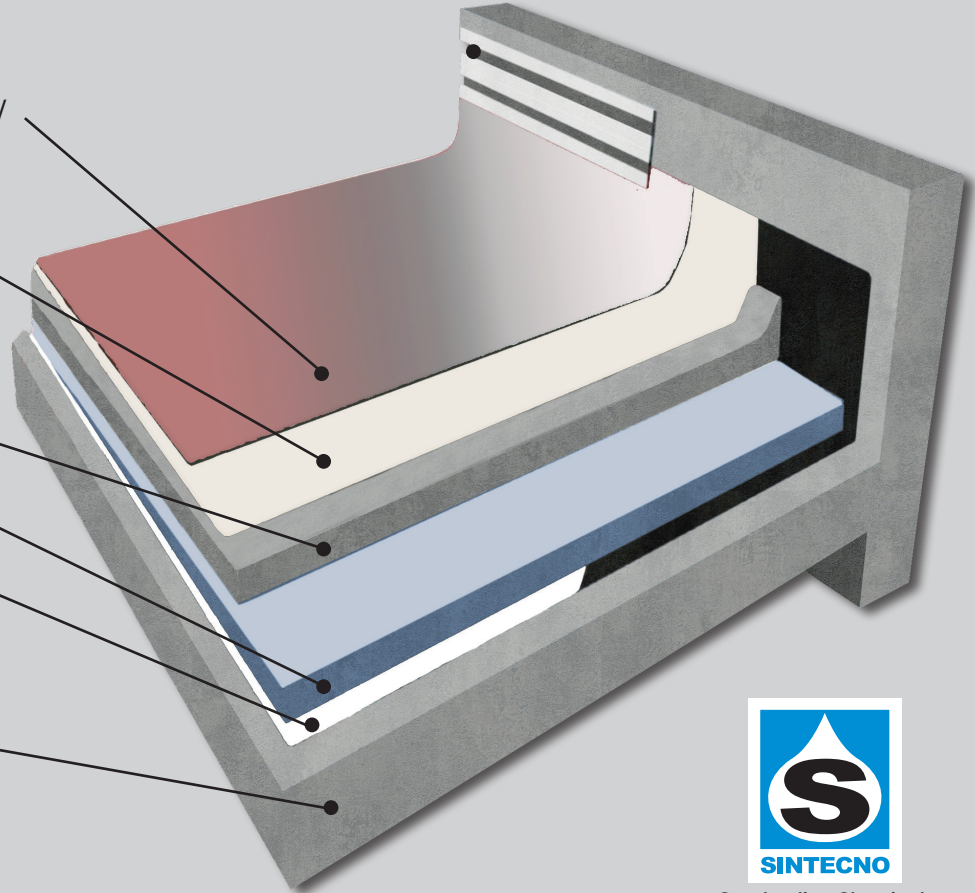


# CONVENTIONAL INSULATION WITHOUT TRAFFIC ABILITY

- 6 (OPTIONAL TOP COAT)  
ISOPLAST PU PRO / ISOPLAST FC /  
PU/W
- 5 ISOPLAST 116,117 / HYBRID /  
HYBRID/E / PU/D / PU / FC/A
- 4 SLOPE SCREED
- 3 INSULATION EPS/XPS
- 2 ISOPLAST PU/ ISOPLAST FC/A  
/ISOPLAST PU W/ SINBITUM/  
SINTOSEAL ELASTIK
- 1 CONCRETE



Construction Chemicals  
& Epoxy Systems